

# strands®

-lighting division

## MANUAL

### SIBERIA UDX 8"

**RED** = +VDC

**BLACK** = - TO CHASSIS GROUND

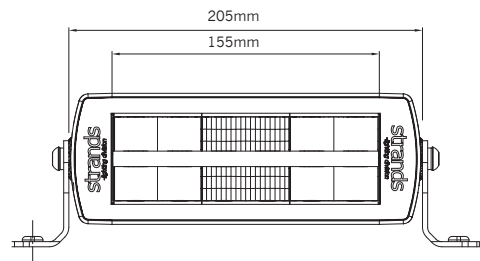
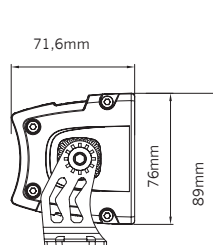
**WHITE** = WHITE POSITION LIGHT

**YELLOW** = AMBER POSITION LIGHT

When you start the LED bar for the first time, it is set to E-mode (E-approved mode).

To switch to Xperience mode, turn on the high beam for 2 seconds, then flash the high beam 3 times.

To switch back to E-mode, turn off the high beam for 5 seconds, let the high beam run for 2 seconds, then flash the high beam 3 times.



#### READ THIS BEFORE INSTALLATION

READ ALL INSTRUCTIONS AND STUDY DIAGRAMS BEFORE INSTALLING YOUR NEW LIGHTS!

#### LEGAL MOUNTING

Check with state or local authorities for laws governing usage and proper mounting of your new lights.

#### TAKE CARE OF YOUR PRODUCT

Keep the product clean. Dirt on the lens and heat-sink may shorten the products lifetime.

We recommend using lukewarm water and alkaline degreasing.

Follow the degreasing instructions carefully and rinse off gently with cold or lukewarm water on low pressure.

#### WARNING!

Strong chemicals should not be used on the product. If you accidentally get strong chemicals on the product, rinse off immediately, use plenty of water so that no chemicals remain in any joint.

Some chemicals have a small amount of solvent in them, this can dissolve sealing adhesives and compromise the product's waterproofness.

Some chemicals pull out liquid from plastic and rubber-based components, which makes the plastic or rubber brittle and bursts more easily.

Be careful not to use high water pressure close up on the product.

If you use high water pressure at short distances, most products find it difficult to close out the water.

#### INSTALLATION

If there is a contact/connector on the product, it should not be cutted. If the connector is cut, the warranty is not valid.

If the product has loose cable and no connector. If the cable is shorter than 50 cm, the cable must not be cutted. If the cable is cut, the warranty is not valid.

If the cable is longer than 50 cm, it is ok to shorten the cable, but not shorter than 50 cm.

If the cable is cut shorter than 50 cm, the warranty is not valid.

Tighten screws and bolts so that they do not loosen or chafe.

Do not tighten screws so hard that the protective bearings on the product breaks.

#### WARNING!

Do not use higher volts than the product description states.

This light becomes hot under continuous use. Don't remove or touch the casing for at least 30 minutes after turning the lamp off.

Part no. 809161

Contact us if you need support: support@strands.se or +46(0)320-450450

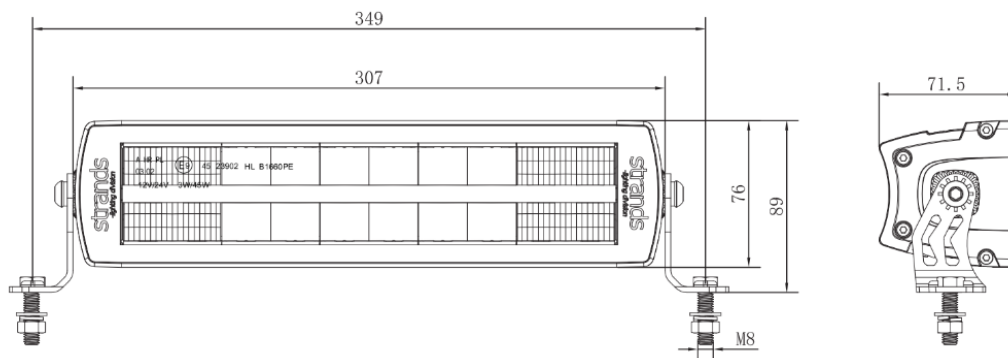


www.strands.se  
www.strandseurope.com

## MANUAL

### SIBERIA OUTLAW UDX 12" LED BAR

- (PIN1)RED:** + High-beam  
**(PIN2)BLACK:** (-) Negative  
**(PIN3)WHITE:** +White position light  
**(PIN4)YELLOW:** +Amber position light  
\* DT- 4PIN connection



#### Default Setting: E-mode

Always start from the "off" state, meaning the light must have been turned off for at least five seconds to discharge any internal power.

#### To switch to Xperience mode:

1. Turn off the high beam for 5 seconds.
2. Turn the high beam on and let it run for 2 seconds.
3. Then, quickly flash the high beam 3 times within 5 seconds.

#### To switch back to ECE mode again:

1. Turn off the high beam for 5 seconds.
2. Turn the high beam on and let it run for 2 seconds.
3. Then, quickly flash the high beam 3 times within 5 seconds.

\*This mode from batch nr 010292 and production after 2025-10-20, old batch doesn't have reset mode. New batch will have new manual with reset mode.

#### To Reset: (Default mode)

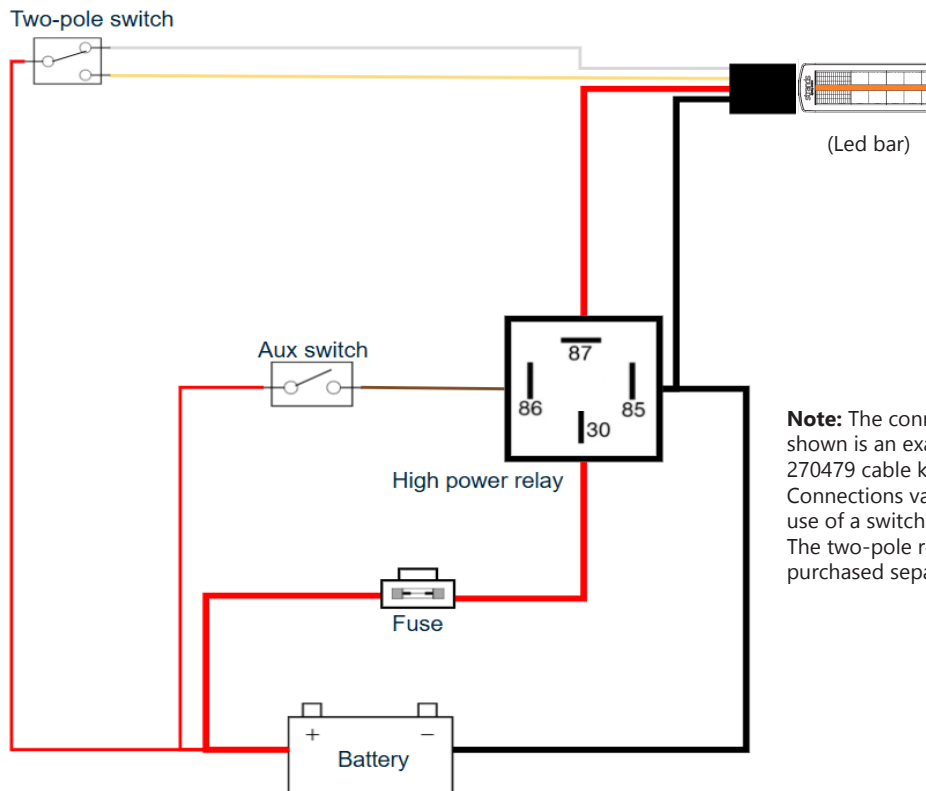
Regardless of the actual mode, if you flashes light rapidly 10 times within 20 seconds, it will immediately reset to Xperience mode. This occurs even if the normal mode change sequence isn't complete. This feature is designed for situations where multiple lights have inconsistent power settings and need to be quickly unified to same setting.

#### Troubleshooting:

1. Ensure the car's engine is running and the battery is in good condition when switching modes.
2. When connecting two or more lights, use a suitable wire (not too long or thick) and connect them all together in one wire. Check the voltage between the power supply and light wires to ensure it is above 10V.
3. For changing modes, use a proper switch or method and ensure it doesn't introduce any extra delay.
4. Avoid excessively fast switching. Ensure each flash takes between 0.8 and 2 seconds, with 3 continuous flashes.
5. If you are experiencing issues with changing modes, ensure the position light is off while turning on the high beam.

# strands®

-lighting division



**Note:** The connection diagram shown is an example only. It uses the 270479 cable kit with a 70A relay. Connections vary depending on the use of a switch or a CANbus solution. The two-pole rocker switch must be purchased separately.

## READ THIS BEFORE INSTALLATION

READ ALL INSTRUCTIONS AND STUDY DIAGRAMS BEFORE INSTALLING YOUR NEW LIGHTS! FOR THE UPDATED MANUAL, PLEASE ACTIVELY CHECK THE STRANDS WEBSITE FOR THE LATEST VERSION UNDER THE SPECIFIC PART NUMBER.

## LEGAL MOUNTING

Check with state or local authorities for laws governing usage and proper mounting of your new lights.

## TAKE CARE OF YOUR PRODUCT

Keep the product clean. Dirt on the lens and heat-sink may shorten the products lifetime.

We recommend using lukewarm water and alkaline degreasing.

Follow the degreasing instructions carefully and rinse off gently with cold or lukewarm water on low pressure.

## WARNING!

Strong chemicals should not be used on the product. If you accidentally get strong chemicals on the product, rinse off immediately, use plenty of water so that no chemicals remain in any joint. If the product is damaged or has inappropriate paint on the housing due to user actions, the warranty is void.

Some chemicals have a small amount of solvent in them, this can dissolve sealing adhesives and compromise the product's waterproofness.

Some chemicals pull out liquid from plastic and rubber-based components, which makes the plastic or rubber brittle and bursts more easily.

Be careful not to use high water pressure close up on the product.

If you use high water pressure at short distances, most products find it difficult to close out the water.

## INSTALLATION

If there is a contact/connector on the product, it should not be cutted. If the connector is cut, the warranty is not valid.

If the product has loose cable and no connector. If the cable is shorter than 50 cm, the cable must not be cutted. If the cable is cut, the warranty is not valid.

If the cable is longer than 50 cm, it is ok to shorten the cable, but not shorter than 50 cm.

If the cable is cut shorter than 50 cm, the warranty is not valid.

Tighten screws and bolts so that they do not loosen or chafe.

Do not tighten screws so hard that the protective bearings on the product breaks.

## WARNING!

Do not use higher volts than the product description states.

This light becomes hot under continuous use. Don't remove or touch the casing for at least 30 minutes after turning the lamp off.

**Part no. 809162**

Contact us if you need support: support@strands.se or +46(0)320-450450

(Version 1)

2/2



www.strands.se  
www.strandseurope.com